



Figure 1
 Texaco Island - Site Location Map

wood.


DATE	JANUARY 2019
SCALE	1" = 5 miles
PROJECT NO.	111562
FIGURE	1 - Site Location Map

DRAWN BY: LMK CHECKED BY:



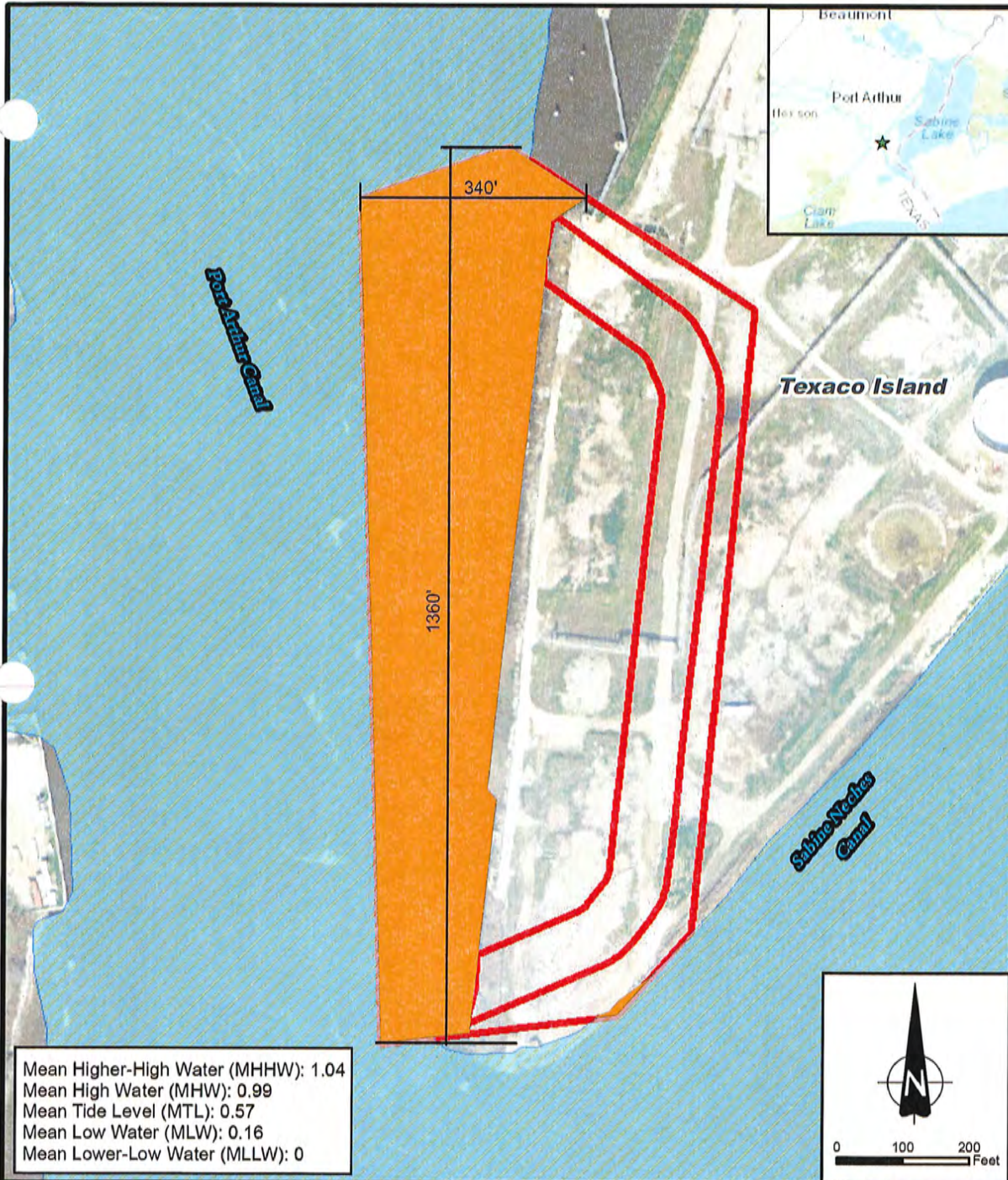
Figure 2
Texaco Island - Proposed Berth 1
Project Boundary

wood.

 Project Boundary

DATE	JANUARY 2010
SCALE	1" = 168 feet
PROJECT NO.	111562
FIGURE	2 - Site Plan

DOWN BY: SD CHECKED BY:



Mean Higher-High Water (MHHW): 1.04
 Mean High Water (MHW): 0.99
 Mean Tide Level (MTL): 0.57
 Mean Low Water (MLW): 0.16
 Mean Lower-Low Water (MLLW): 0

Figure 3
 Texaco Island -
 Open Water Impacts



- Permanent Open Water Impact
- Estuarine and Marine Deepwater (E1UBLx) Wetland Habitat
- Project Boundary

AREA OF OPEN WATER IMPACT: 6.49 ACRES

DATE
 JANUARY 2019

SCALE
 1" = 200 feet

PROJECT NO.
 111562

FIGURE
 3 - Open Water Impact

DRAWN BY: CHENDELL

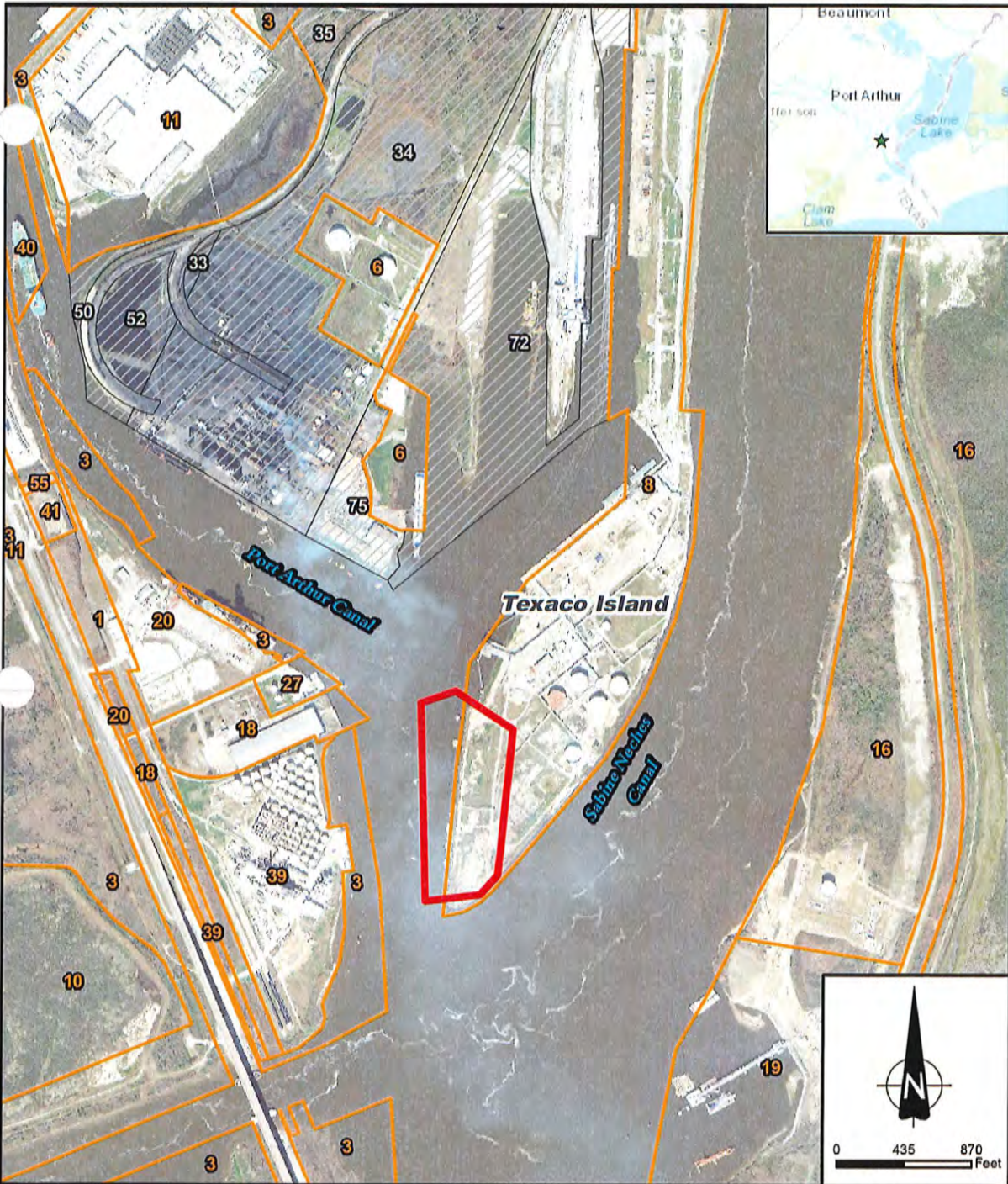


Figure 4
 Texaco Island -
 Adjacent Property Owners

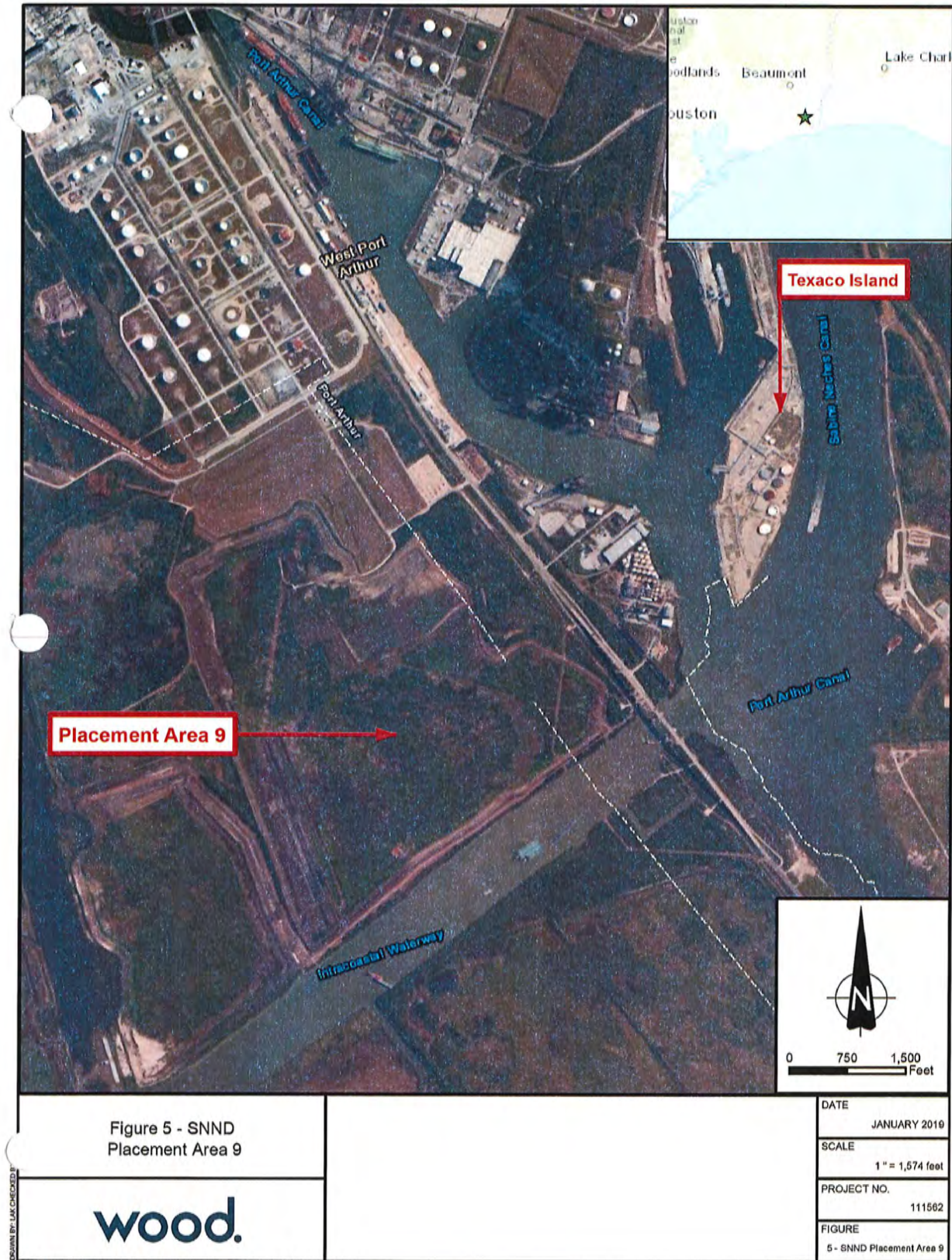


- Project Boundary
- Tracts
- Unknown Ownership

See Attachment B for list of property owners

DATE	JANUARY 2019
SCALE	N.T.S.
PROJECT NO.	111562
FIGURE	4 - Property

DRAWN BY CHECKED BY





PLAN

MOTIVA
 ENTERPRISES LLC
PORT ARTHUR
 REFINERY

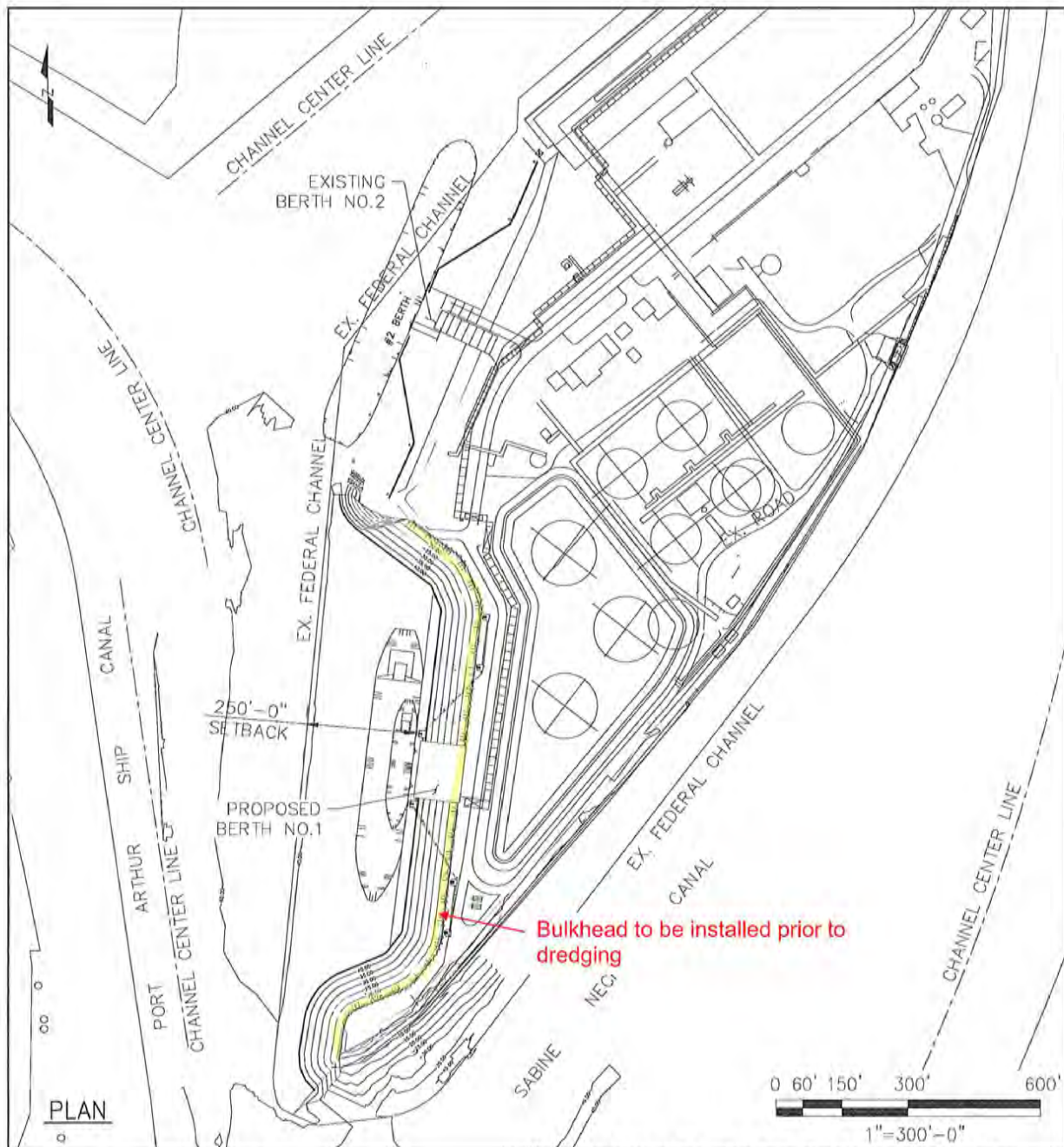
wood. WOOD GROUP USA, INC.
 TEXAS REGISTERED ENGINEERING FIRM F-2999
 PROJECT NO: 113181

NOTICE

THIS DRAWING AND THE INFORMATION HEREIN CONTAINED ARE THE PROPERTY OF MOTIVA ENTERPRISES WHICH HAS FURNISHED THEM IN CONFIDENCE UPON THE UNDERSTANDING AND CONDITION THAT ALL PERSONS, FIRMS OR CORPORATIONS RECEIVING SUCH DRAWING AND INFORMATION SHALL BY THE ACT OF RECEIVING THEM BE DEEMED TO HAVE AGREED TO MAKE NO COPY, DUPLICATION, DISCLOSURE OR USE WHATSOEVER OF ALL OR ANY PART THEREOF EXCEPT AS EXPRESSLY AUTHORIZED IN WRITING BY MOTIVA ENTERPRISES NOT TO GIVE, LEND OR OTHERWISE DISPOSE OF THIS DRAWINGS; AND TO RETURN THIS DRAWING PROMPTLY UPON REQUEST.

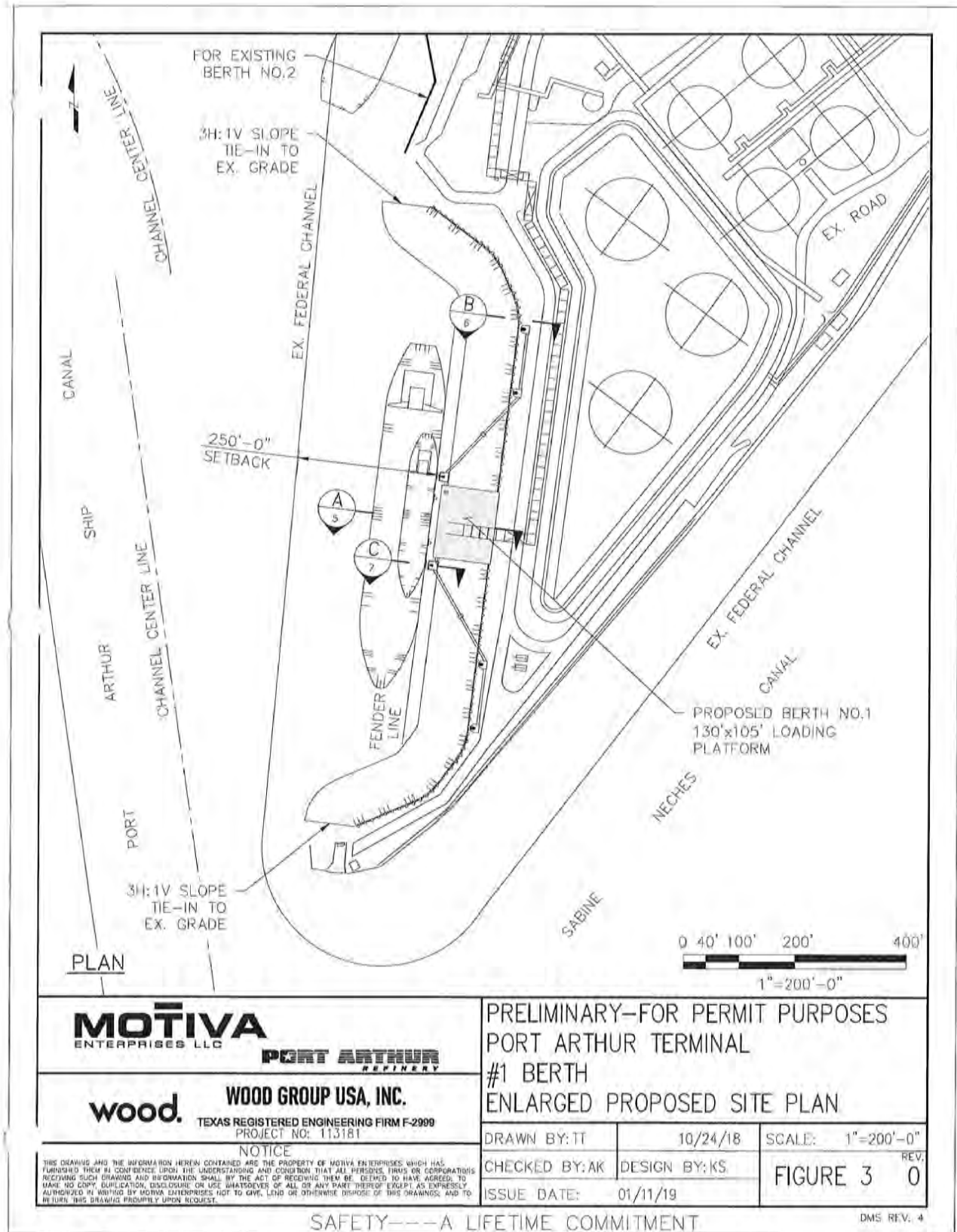
PRELIMINARY—FOR PERMIT PURPOSES
 PORT ARTHUR TERMINAL
 #1 BERTH
 VICINITY MAP PLAN

DRAWN BY: TT	10/24/18	SCALE: 1"=2000'-0"
CHECKED BY: AK	DESIGN BY: KS	FIGURE 1
ISSUE DATE: 01/11/19		REV. 0



<p>MOTIVA ENTERPRISES LLC</p> <p>PORT ARTHUR REFINERY</p>	<p>PRELIMINARY-FOR PERMIT PURPOSES PORT ARTHUR TERMINAL #1 BERTH PROPOSED SITE PLAN</p>		
	<p>wood.</p> <p>WOOD GROUP USA, INC. TEXAS REGISTERED ENGINEERING FIRM F-2999 PROJECT NO: 191949</p>	<p>DRAWN BY: TT</p> <p>CHECKED BY: AK</p> <p>ISSUE DATE: 01/11/19</p>	<p>10/24/18</p> <p>DESIGN BY: KS</p> <p>01/11/19</p>

NOTICE
 THIS DRAWING AND THE INFORMATION HEREIN CONTAINED ARE THE PROPERTY OF MOTIVA ENTERPRISES WHICH HAS FURNISHED THEM IN CONFIDENCE. UPON THE UNDERSTANDING AND CONDITION THAT ALL PERSONS, FIRMS OR CORPORATIONS RECEIVING SUCH DRAWING AND INFORMATION SHALL BY THE ACT OF RECEIVING THEM BE DEEMED TO HAVE AGREED TO MAKE NO COPY, DUPLICATION, DISCLOSURE OR USE WHATSOEVER OF ALL OR ANY PART THEREOF EXCEPT AS EXPRESSLY AUTHORIZED IN WRITING BY MOTIVA ENTERPRISES NOT TO GIVE, LEND OR OTHERWISE DISPOSE OF THIS DRAWING; AND TO RETURN THIS DRAWING PROMPTLY UPON REQUEST.



PLAN



MOTIVA
 ENTERPRISES LLC
PORT ARTHUR
 REFINERY

wood. WOOD GROUP USA, INC.
 TEXAS REGISTERED ENGINEERING FIRM F-2999
 PROJECT NO: 113181

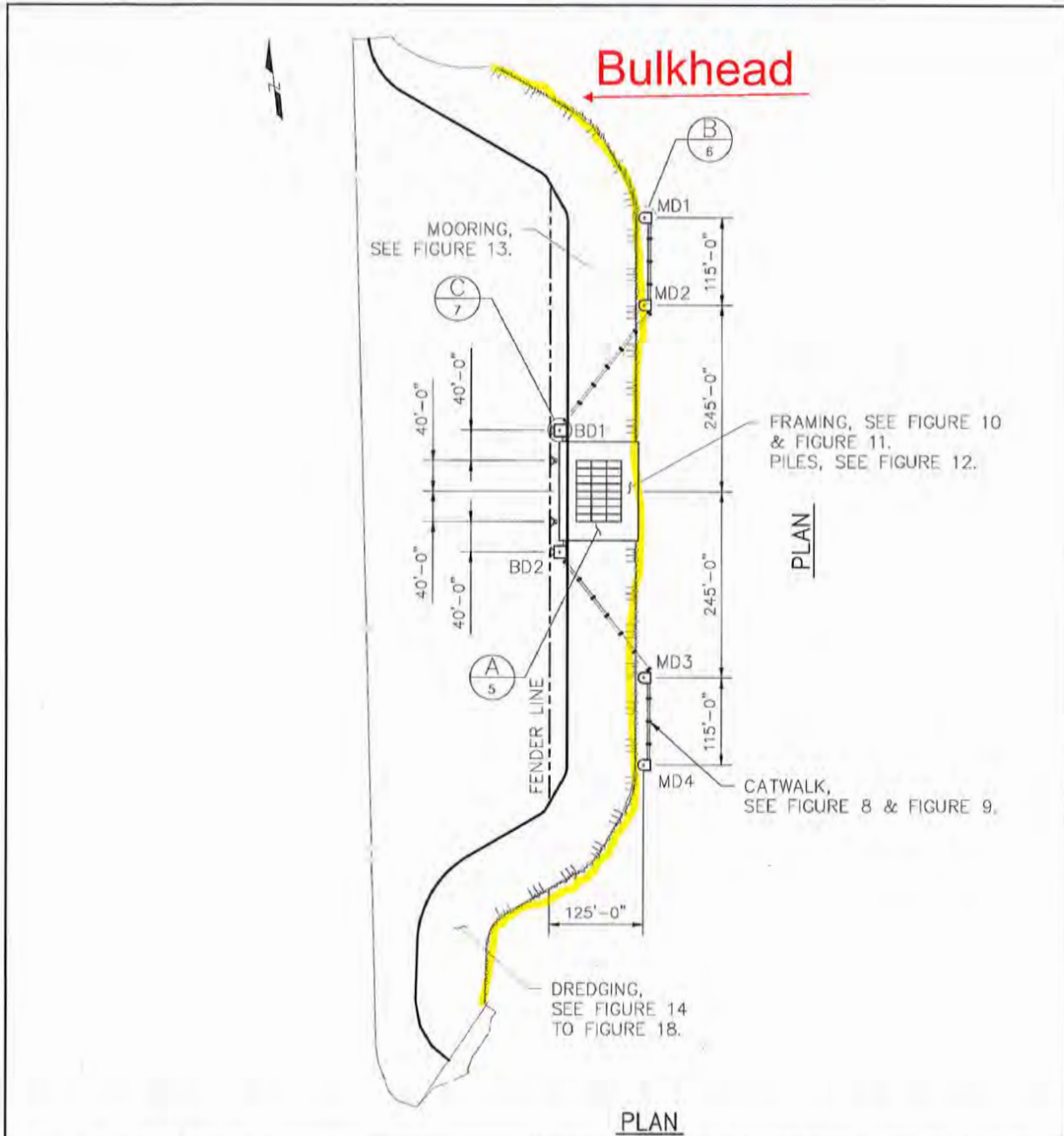
PRELIMINARY—FOR PERMIT PURPOSES
 PORT ARTHUR TERMINAL
 #1 BERTH
 ENLARGED PROPOSED SITE PLAN

DRAWN BY: IT	10/24/18	SCALE: 1"=200'-0"
CHECKED BY: AK	DESIGN BY: KS	REV. 0
ISSUE DATE: 01/11/19	FIGURE 3	

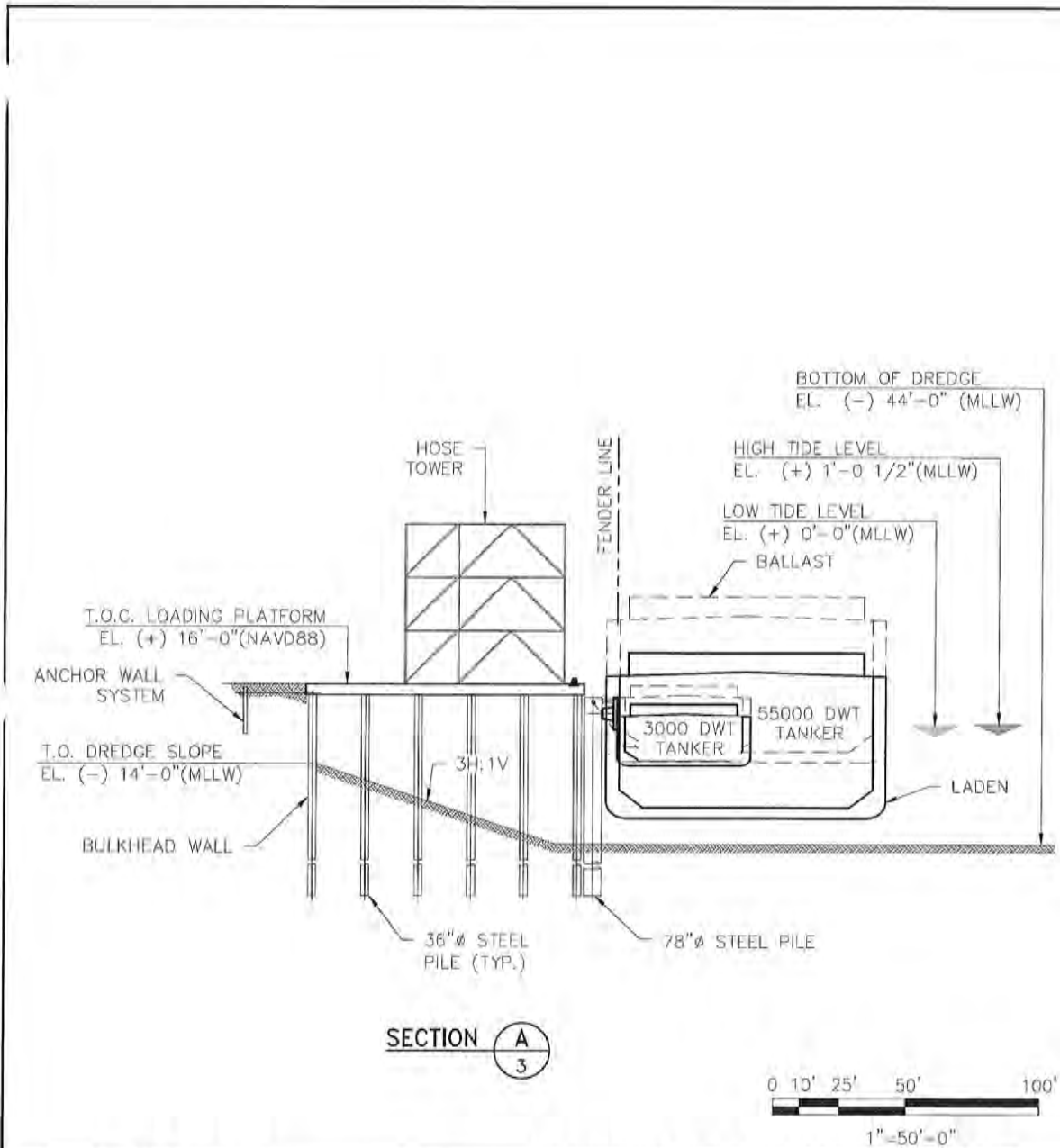
NOTICE
 THIS DRAWING AND THE INFORMATION HEREIN CONTAINED ARE THE PROPERTY OF MOTIVA ENTERPRISES WHICH HAS FURNISHED THEM IN CONFIDENCE UPON THE UNDERSTANDING AND AGREEMENT THAT ALL PERSONS, FIRMS OR CORPORATIONS RECEIVING SUCH DRAWINGS AND INFORMATION SHALL, BY THE ACT OF RECEIVING THEM BE DEEMED TO HAVE AGREED TO MAKE NO COPY, REPRODUCTION, DISSEMINATION OR USE WHATSOEVER OF ALL OR ANY PART THEREOF EXCEPT AS EXPRESSLY AUTHORIZED IN WRITING BY MOTIVA ENTERPRISES. NOT TO GIVE, LEND OR OTHERWISE DISPOSE OF THIS DRAWING; AND TO RETURN THIS DRAWING PROMPTLY UPON REQUEST.

SAFETY—A LIFETIME COMMITMENT

DMS REV. 4



	PRELIMINARY—FOR PERMIT PURPOSES PORT ARTHUR TERMINAL #1 BERTH GENERAL ARRANGEMENT LAYOUT PLAN	
	TEXAS REGISTERED ENGINEERING FIRM F-2999 PROJECT NO: 191949	DRAWN BY: IT 11/23/18 SCALE: 1"=150'-0" CHECKED BY: AK DESIGN BY: KS ISSUE DATE: 01/11/19
NOTICE <small>THIS DRAWING AND THE INFORMATION HEREIN CONTAINED ARE THE PROPERTY OF MOTIVA ENTERPRISES WHICH HAS FURNISHED THEM IN CONFIDENCE UPON THE UNDERSTANDING AND CONDITION THAT ALL PERSONS, FIRMS OR CORPORATIONS RECEIVING SUCH DRAWING AND INFORMATION SHALL BY THE ACT OF RECEIVING THEM BE DEEMED TO HAVE AGREED TO MAKE NO COPY, DUPLICATION, DISCLOSURE OR USE WHATSOEVER OF ALL OR ANY PART THEREOF EXCEPT AS EXPRESSLY AUTHORIZED IN WRITING BY MOTIVA ENTERPRISES NOT TO GIVE, LEND OR OTHERWISE DISPOSE OF THIS DRAWING, AND TO RETURN THIS DRAWING PROMPTLY UPON REQUEST.</small>		FIGURE 4 REV. 1



MOTIVA
 ENTERPRISES LLC
PORT ARTHUR
 REFINERY

wood. WOOD GROUP USA, INC.
 TEXAS REGISTERED ENGINEERING FIRM F-2999
 PROJECT NO: 113181

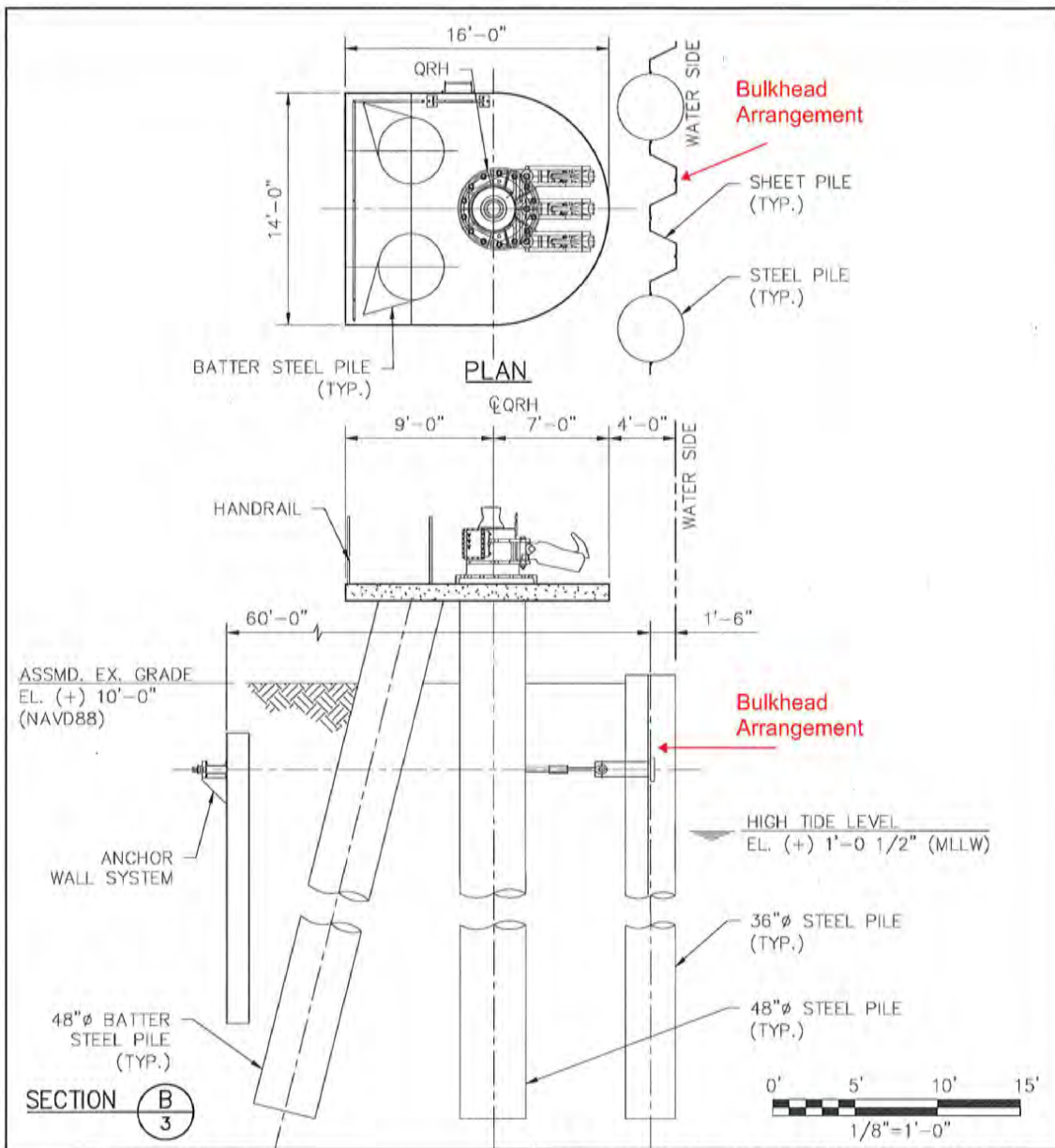
PRELIMINARY-FOR PERMIT PURPOSES
 PORT ARTHUR TERMINAL
 #1 BERTH
 LOADING PLATFORM SECTION

DRAWN BY: TT	10/24/18	SCALE: 1"=50'-0"	REV.
CHECKED BY: AK	DESIGN BY: KS	FIGURE 5	0
ISSUE DATE: 01/11/19			

NOTICE
 THIS DRAWING AND THE INFORMATION HEREIN CONTAINED ARE THE PROPERTY OF MOTIVA ENTERPRISES WHICH HAS FURNISHED THEM IN CONFIDENCE UPON THE UNDERSTANDING AND CONDITION THAT ALL PERSONS, FIRMS OR CORPORATIONS RECEIVING SUCH DRAWING AND INFORMATION SHALL BY THE ACT OF RECEIVING THEM BE DEEMED TO HAVE AGREED TO MAKE NO COPY, DUPLICATION, DISCLOSURE OR USE WHATSOEVER OF ALL OR ANY PART THEREOF EXCEPT AS EXPRESSLY AUTHORIZED IN WRITING BY MOTIVA ENTERPRISES NOT TO GIVE, LEND OR OTHERWISE DISPOSE OF THIS DRAWING; AND TO RETURN THIS DRAWING PROMPTLY UPON REQUEST.

SAFETY---A LIFETIME COMMITMENT

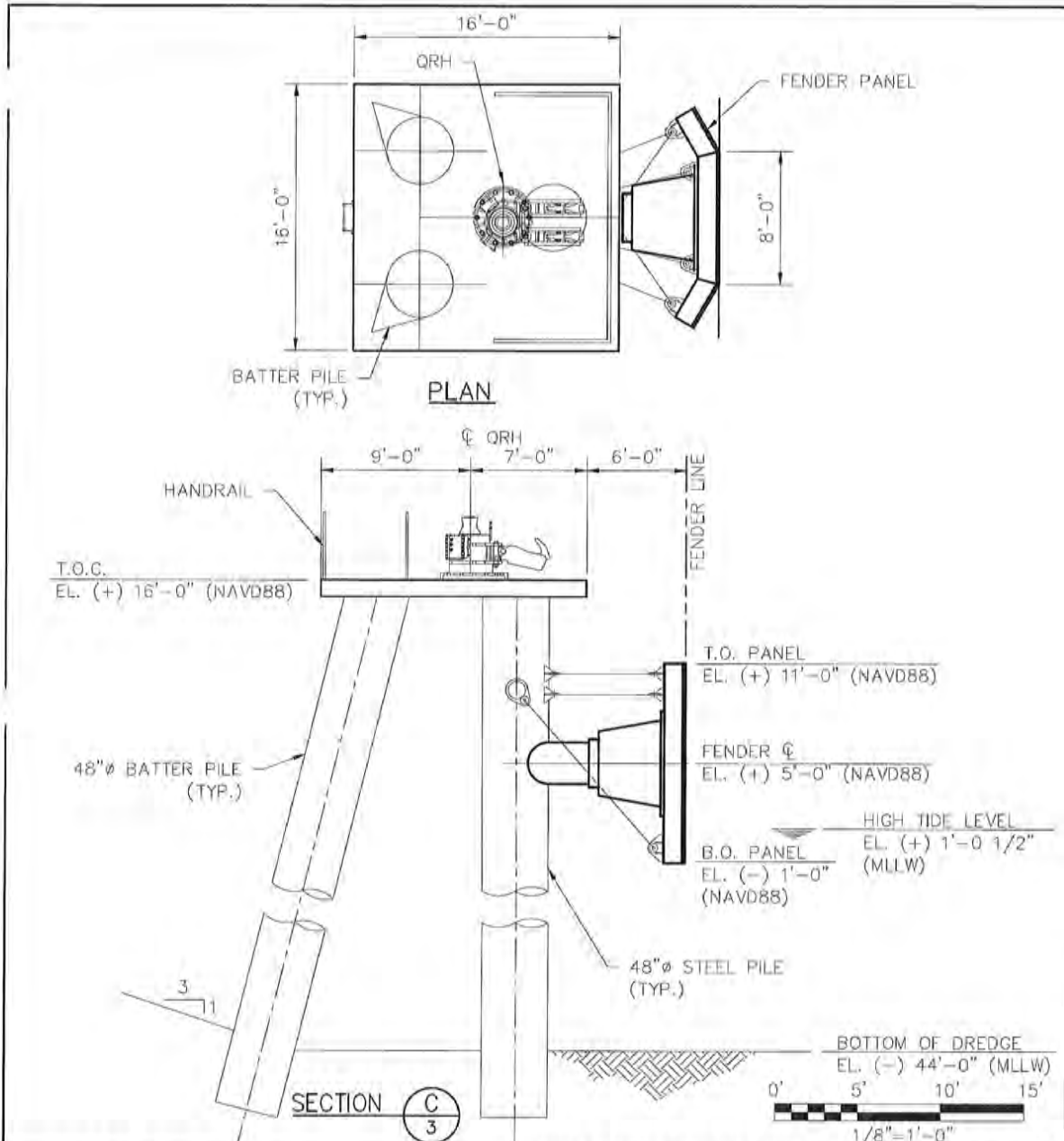
DMS REV. 4



MOTIVA ENTERPRISES LLC PORT ARTHUR DELIVERY		PRELIMINARY-FOR PERMIT PURPOSES PORT ARTHUR TERMINAL #1 BERTH TYPICAL MOORING DOLPHIN PLAN & SECTION	
wood. TEXAS REGISTERED ENGINEERING FIRM F-2999 PROJECT NO: 113181		DRAWN BY: IT 11/23/18 SCALE: 1/8"=1'-0" CHECKED BY: AK DESIGN BY: KS ISSUE DATE: .01/11/19	
NOTICE <small>THIS DRAWING AND THE INFORMATION HEREIN CONTAINED ARE THE PROPERTY OF MOTIVA ENTERPRISES WHICH HAS FURNISHED THEM IN CONFIDENCE UPON THE UNDERSTANDING AND CONDITION THAT ALL PERSONS, FIRMS OR CORPORATIONS RECEIVING SUCH DRAWING AND INFORMATION SHALL, BY THE ACT OF RECEIVING THEM BE DEEMED TO HAVE AGREED, TO MAKE NO COPY, DUPLICATION, DISCLOSURE OR USE WHATSOEVER OF ALL OR ANY PART THEREOF EXCEPT AS EXPRESSLY AUTHORIZED IN WRITING BY MOTIVA ENTERPRISES NOT TO GIVE, LEAD OR OTHERWISE DISPOSE OF THIS DRAWING, AND TO RETURN THIS DRAWING PROMPTLY UPON REQUEST.</small>		FIGURE 6 REV. 0	

SAFETY---A LIFETIME COMMITMENT

DMS REV. 4



MOTIVA
 ENTERPRISES LLC
PORT ARTHUR
 TERMINAL

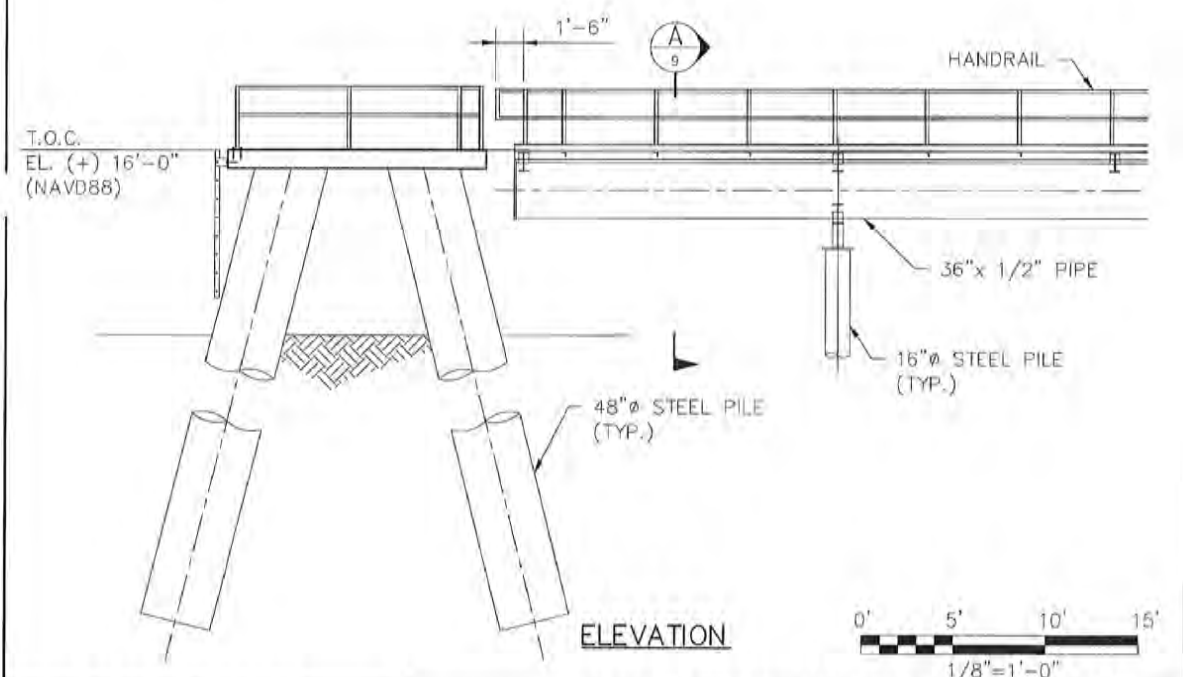
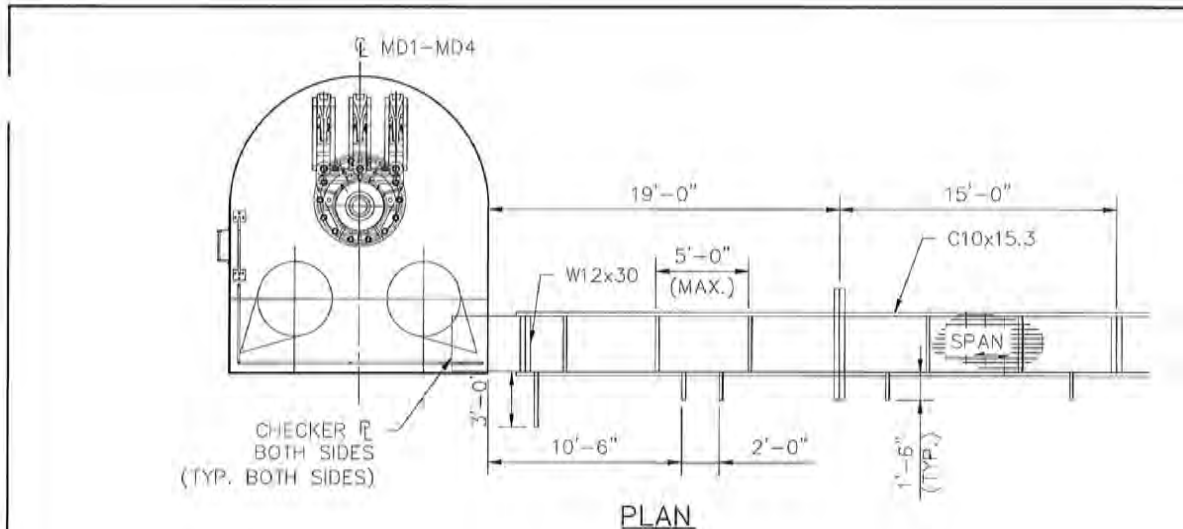
wood. WOOD GROUP USA, INC.
 TEXAS REGISTERED ENGINEERING FIRM F-2999
 PROJECT NO: 113181

PRELIMINARY-FOR PERMIT PURPOSES
 PORT ARTHUR TERMINAL
 #1 BERTH
 TYPICAL BERTHING DOLPHIN PLAN & SECTION

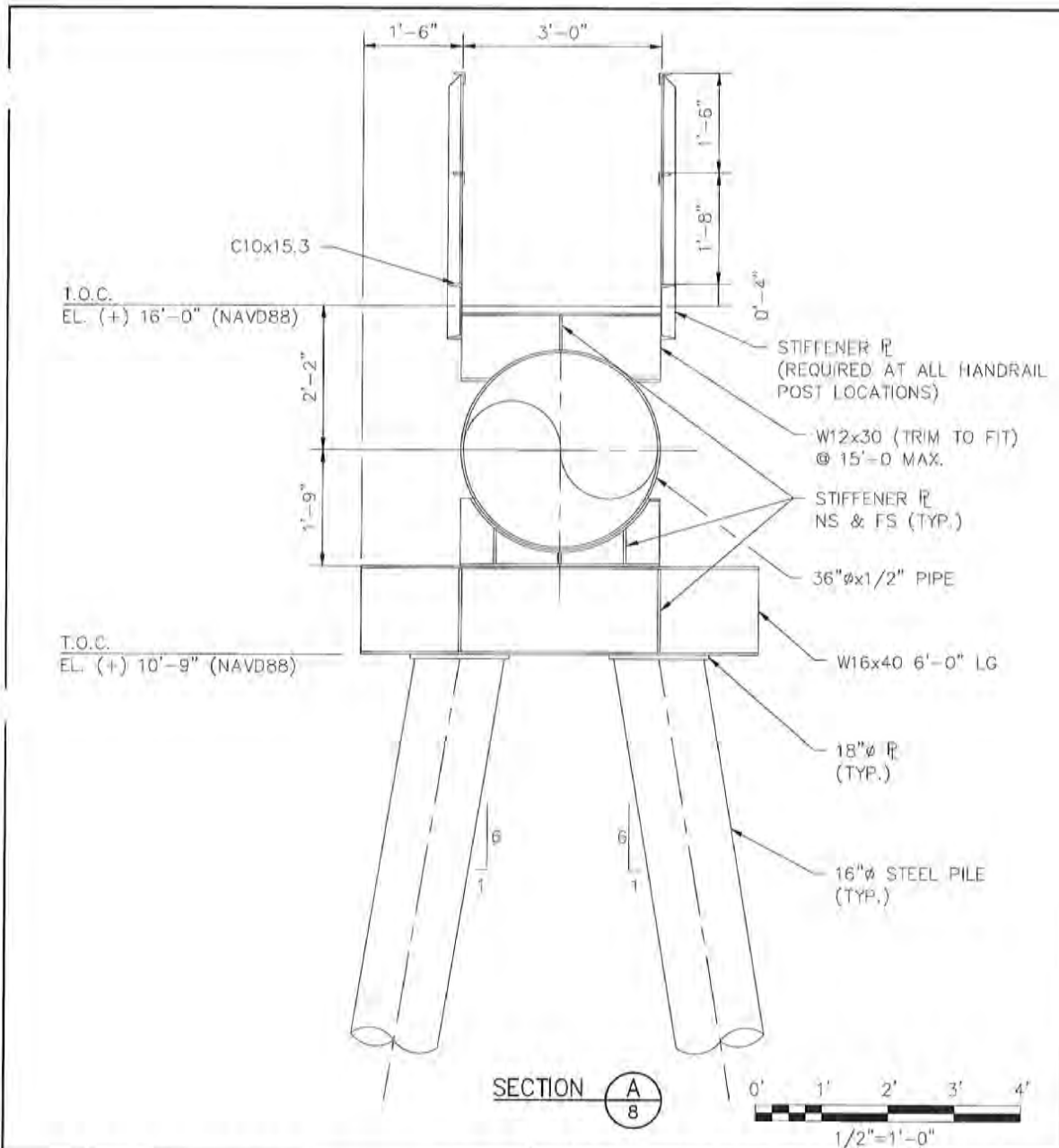
DRAWN BY: TT	11/23/18	SCALE: 1/8"=1'-0"
CHECKED BY: AK	DESIGN BY: KS	REV. 0
ISSUE DATE: 01/11/19		FIGURE 7

NOTICE
 THIS DRAWING AND THE INFORMATION HEREIN CONTAINED ARE THE PROPERTY OF MOTIVA ENTERPRISES WHICH HAS FURNISHED THEM IN CONFIDENCE UPON THE UNDERSTANDING AND CONDITION THAT ALL PERSONS, FIRMS OR CORPORATIONS RECEIVING SUCH DRAWINGS AND INFORMATION SHALL BY THE ACT OF RECEIVING THEM BE DEEMED TO HAVE AGREED TO MAKE NO COPY, DUPLICATION, DISCLOSURE OR USE WHATSOEVER OF ALL OR ANY PART THEREOF EXCEPT AS EXPRESSLY AUTHORIZED IN WRITING BY MOTIVA ENTERPRISES. NOT TO GIVE, LEND OR OTHERWISE DISPOSE OF THIS DRAWING; AND TO RETURN THIS DRAWING PROMPTLY UPON REQUEST.

FEB 12 2019



MOTIVA ENTERPRISES LLC PORT ARTHUR REFINERY	PRELIMINARY-FOR PERMIT PURPOSES PORT ARTHUR TERMINAL #1 BERTH TYPICAL CATWALK PLAN & ELEVATION		
	wood. TEXAS REGISTERED ENGINEERING FIRM F-2999 PROJECT NO: 113181	DRAWN BY: TT 11/23/18	SCALE: 1/8"=1'-0"
NOTICE <small>THIS DRAWING AND THE INFORMATION HEREIN CONTAINED ARE THE PROPERTY OF MOTIVA ENTERPRISES WHICH HAS FURNISHED THEM IN CONFIDENCE UPON THE UNDERSTANDING AND CONDITION THAT ALL PERSONS, FIRMS OR CORPORATIONS RECEIVING SUCH DRAWINGS AND INFORMATION SHALL BY THE ACT OF RECEIVING THEM BE DEEMED TO HAVE AGREED TO MAKE NO COPY, DUPLICATION, DISCLOSURE OR USE, WHATSOEVER OF ALL OR ANY PART THEREOF EXCEPT AS EXPRESSLY AUTHORIZED IN WRITING BY MOTIVA ENTERPRISES NOT TO GIVE, LEASE OR OTHERWISE DISPOSE OF THIS DRAWINGS, AND TO RETURN THIS DRAWING PROMPTLY UPON REQUEST.</small>		CHECKED BY: AK DESIGN BY: KS ISSUE DATE: 01/11/19	FIGURE 8 REV. 0



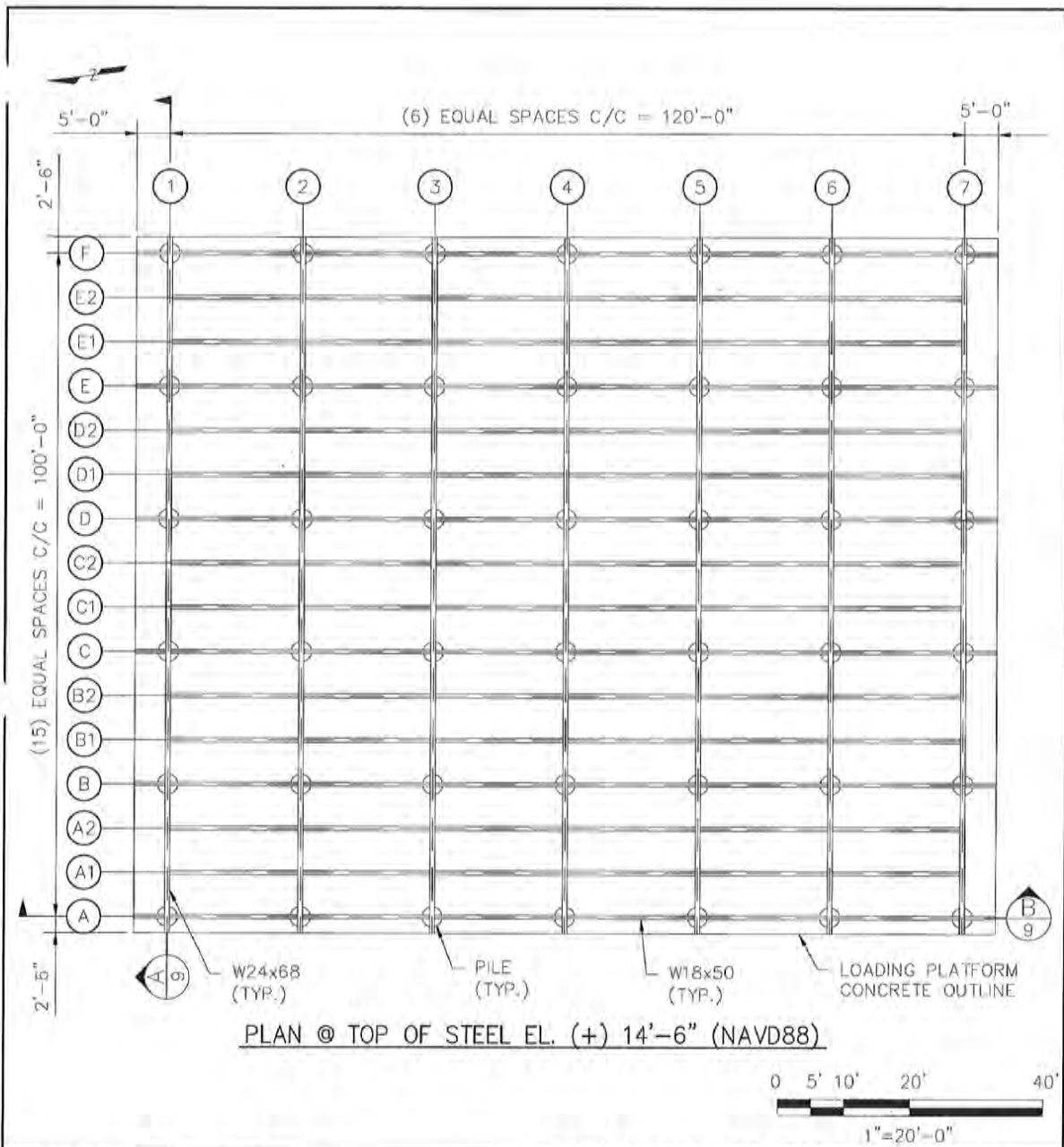
MOTIVA
 ENTERPRISES LLC
PORT ARTHUR
 REFINERY

wood. **WOOD GROUP USA, INC.**
 TEXAS REGISTERED ENGINEERING FIRM F-2999
 PROJECT NO: 113181

PRELIMINARY--FOR PERMIT PURPOSES
 PORT ARTHUR TERMINAL
 #1 BERTH
 TYPICAL CATWALK DETAILS

DRAWN BY: TI	11/23/18	SCALE: 1/2"=1'-0"
CHECKED BY: AK	DESIGN BY: KS	FIGURE 9 ^{REV.} 0
ISSUE DATE: 01/11/19		

NOTICE
 THIS DRAWING AND THE INFORMATION HEREIN CONTAINED ARE THE PROPERTY OF MOTIVA ENTERPRISES WHICH HAS FURNISHED THEM IN CONFIDENCE UPON THE UNDERSTANDING AND CONDITION THAT ALL PERSONS, FIRMS OR CORPORATIONS RECEIVING SUCH DRAWINGS AND INFORMATION SHALL, BY THE ACT OF RECEIVING THEM BE DEEMED TO HAVE AGREED TO MAKE NO COPY, DUPLICATION, DISCLOSURE OR USE WHATSOEVER OF ALL OR ANY PART THEREOF EXCEPT AS EXPRESSLY AUTHORIZED IN WRITING BY MOTIVA ENTERPRISES NOT TO GIVE, LEND OR OTHERWISE DISPOSE OF THIS DRAWING; AND TO RETURN THIS DRAWING PROMPTLY UPON REQUEST.



MOTIVA
 ENTERPRISES LLC

PORT ARTHUR
 REFINERY

wood. WOOD GROUP USA, INC.
 TEXAS REGISTERED ENGINEERING FIRM F-2999
 PROJECT NO: 113181

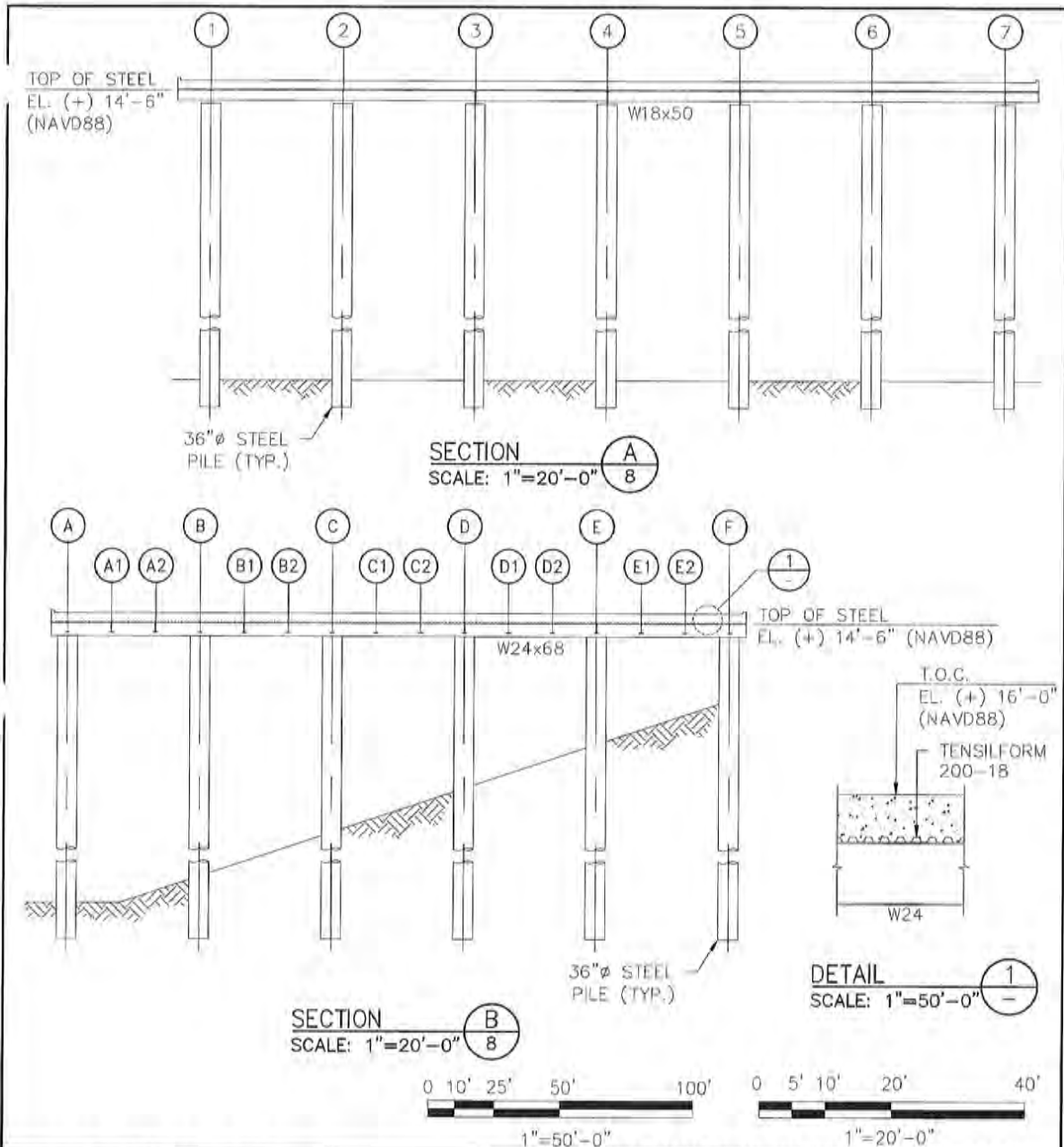
PRELIMINARY-FOR PERMIT PURPOSES
 PORT ARTHUR TERMINAL
 #1 BERTH
 LOADING PLATFORM FRAMING PLAN

DRAWN BY: IT	11/17/18	SCALE: 1"=20'-0"
CHECKED BY: AK	DESIGN BY: KS	FIGURE 10 0
ISSUE DATE: 01/11/19		

NOTICE
 THIS DRAWING AND THE INFORMATION HEREIN CONTAINED ARE THE PROPERTY OF MOTIVA ENTERPRISES WHICH HAS FURNISHED THEM IN CONFIDENCE UPON THE UNDERSTANDING AND COVENANT THAT ALL PERSONS, FIRMS OR CORPORATIONS RECEIVING SUCH DRAWINGS AND INFORMATION SHALL BY THE ACT OF RECEIVING THEM BE DEEMED TO HAVE AGREED TO MAKE NO COPY, DUPLICATION, DISCLOSURE OR USE WHATSOEVER OF ALL OR ANY PART THEREOF EXCEPT AS EXPRESSLY AUTHORIZED IN WRITING BY MOTIVA ENTERPRISES NOT TO GIVE, LEND OR OTHERWISE DISPOSE OF THIS DRAWING; AND TO RETURN THIS DRAWING PROMPTLY UPON REQUEST.

SAFETY---A LIFETIME COMMITMENT

DMS REV. 4



MOTIVA
 ENTERPRISES LLC
PORT ARTHUR
 REFINERY

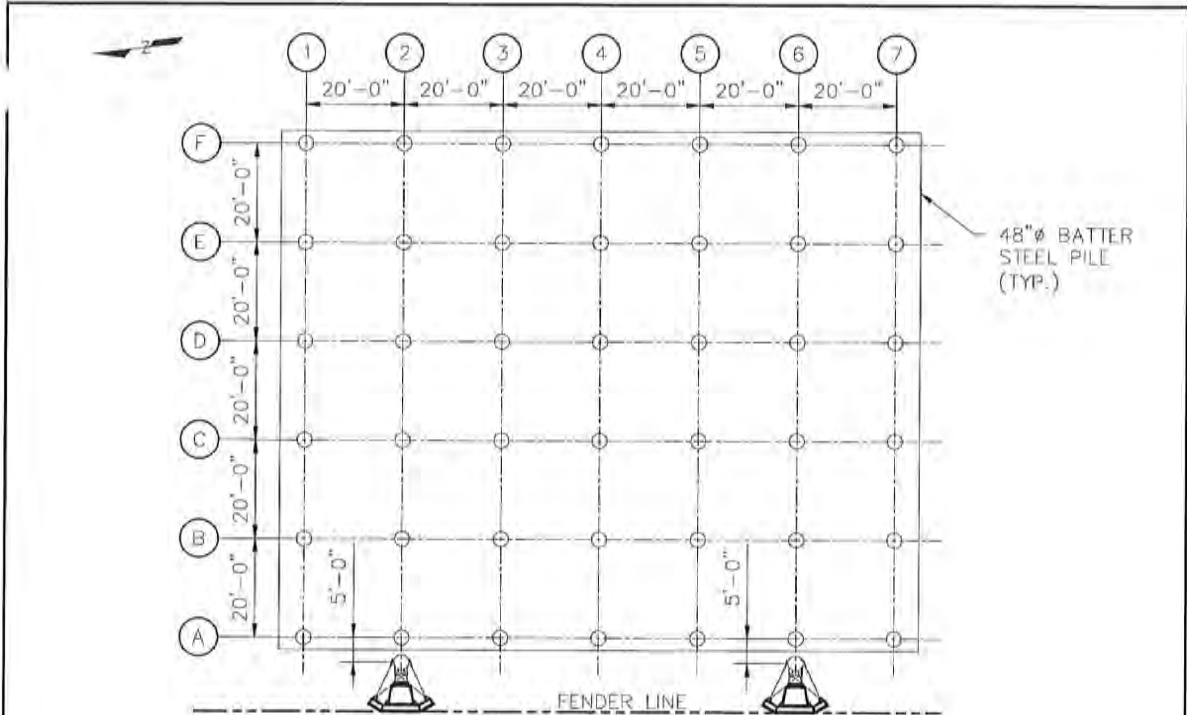
wood. WOOD GROUP USA, INC.
 TEXAS REGISTERED ENGINEERING FIRM F-2999
 PROJECT NO: 113181

PRELIMINARY-FOR PERMIT PURPOSES
 PORT ARTHUR TERMINAL
 #1 BERTH
 LOADING PLATFORM FRAMING SECTIONS & DETAIL

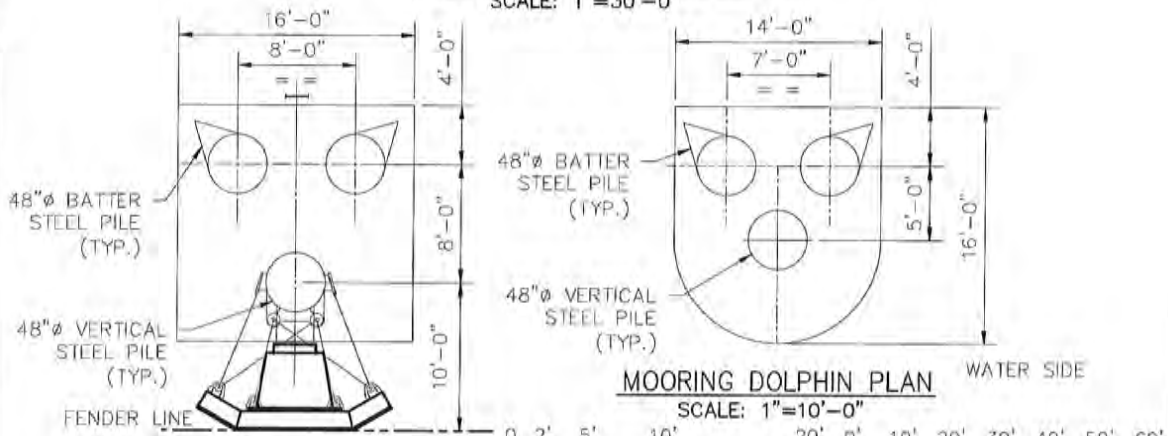
DRAWN BY: TT	10/24/18	SCALE: AS NOTED
CHECKED BY: AK	DESIGN BY: KS	FIGURE 11 0
ISSUE DATE: 01/11/19		

NOTICE
 THIS DRAWING AND THE INFORMATION HEREIN CONTAINED ARE THE PROPERTY OF MOTIVA ENTERPRISES WHICH HAS FURNISHED THEM IN CONFIDENCE UPON THE UNDERSTANDING AND CONDITION THAT ALL PERSONS, FIRMS OR CORPORATIONS RECEIVING SUCH DRAWING AND INFORMATION SHALL BY THE ACT OF RECEIVING THEM BE DEEMED TO HAVE AGREED TO MAKE NO COPY, DUPLICATION, DISCLOSURE OR USE WHATSOEVER OF ALL OR ANY PART THEREOF EXCEPT AS EXPRESSLY AUTHORIZED IN WRITING BY MOTIVA ENTERPRISES NOT TO GIVE, LEASE OR OTHERWISE DISPOSE OF THIS DRAWING; AND TO RETURN THIS DRAWING PROMPTLY UPON REQUEST.

FEB 12 2019



LOADING PLATFORM PLAN
 SCALE: 1"=30'-0"



MOORING DOLPHIN PLAN
 SCALE: 1"=10'-0"

MOORING DOLPHIN PLAN
 SCALE: 1"=10'-0"

MOTIVA
 ENTERPRISES LLC
PORT ARTHUR
 REFINERY

wood. WOOD GROUP USA, INC.
 TEXAS REGISTERED ENGINEERING FIRM F-2999
 PROJECT NO: 113181

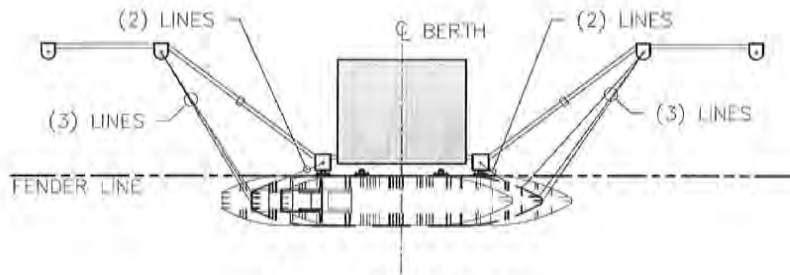
PRELIMINARY-FOR PERMIT PURPOSES
 PORT ARTHUR TERMINAL
 #1 BERTH
 PILE LAYOUT PLAN

DRAWN BY: TT	11/23/18	SCALE: AS NOTED
CHECKED BY: AK	DESIGN BY: KS	FIGURE 12 0
ISSUE DATE: 01/11/19		

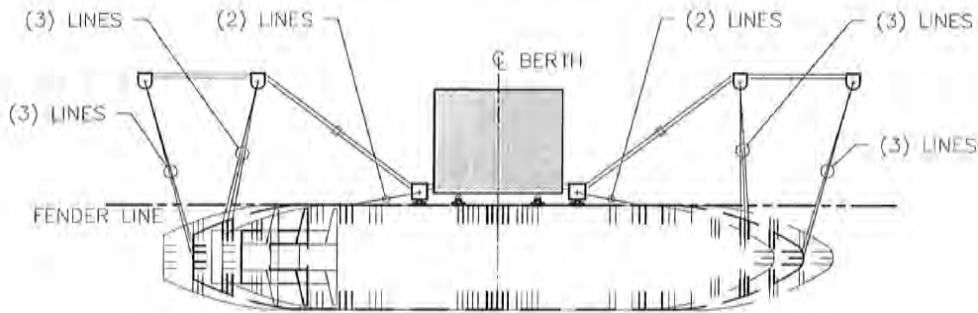
NOTICE
 THIS DRAWING AND THE INFORMATION HEREIN CONTAINED ARE THE PROPERTY OF MOTIVA ENTERPRISES WHICH HAS FURNISHED THEM IN CONFIDENCE UPON THE UNDERSTANDING AND CONDITION THAT ALL PERSONS, FIRMS OR CORPORATIONS RECEIVING SUCH DRAWING AND INFORMATION SHALL BY THE ACT OF RECEIVING THEM BE DEEMED TO HAVE AGREED TO MAKE NO COPY, REPRODUCTION, DISCLOSURE OR USE WHATSOEVER OF ALL OR ANY PART THEREOF EXCEPT AS EXPRESSLY AUTHORIZED IN WRITING BY MOTIVA ENTERPRISES NOT TO GIVE, LEND OR OTHERWISE DISPOSE OF THIS DRAWING; AND TO RETURN THIS DRAWING PROMPTLY UPON REQUEST.

DESIGN VESSELS PARTICULARS

VESSEL TYPE	TANKER	
	3000 BWT	5500
MIN / MAX VESSEL	MIN	MAX
BWT (T)	3000	55000
DISPLACEMENT TONNAGE (T)	5150	82000
LENGTH OVER ALL (LOA) (FT)	295	429
LENGTH BETWEEN PERPENDICULARS (LBP) (FT)	292	570
EXTREME BREADTH (BEAM) (FT)	50	105
MOULDED DEPTH (FT)	23	42
FREEBOARD - BALLAST (FT)	11	40
FREEBOARD - LADEN (FT)	4	19
DRAFT - BALLAST (FT)	12.1	22.0
DRAFT - LADEN (FT)	16.7	43.0



3000 TANKER PLAN



5500 TANKER PLAN

MOTIVA
 ENTERPRISES LLC
PORT ARTHUR
 REFINERY

wood. WOOD GROUP USA, INC.
 TEXAS REGISTERED ENGINEERING FIRM F-2999
 PROJECT NO: 113181

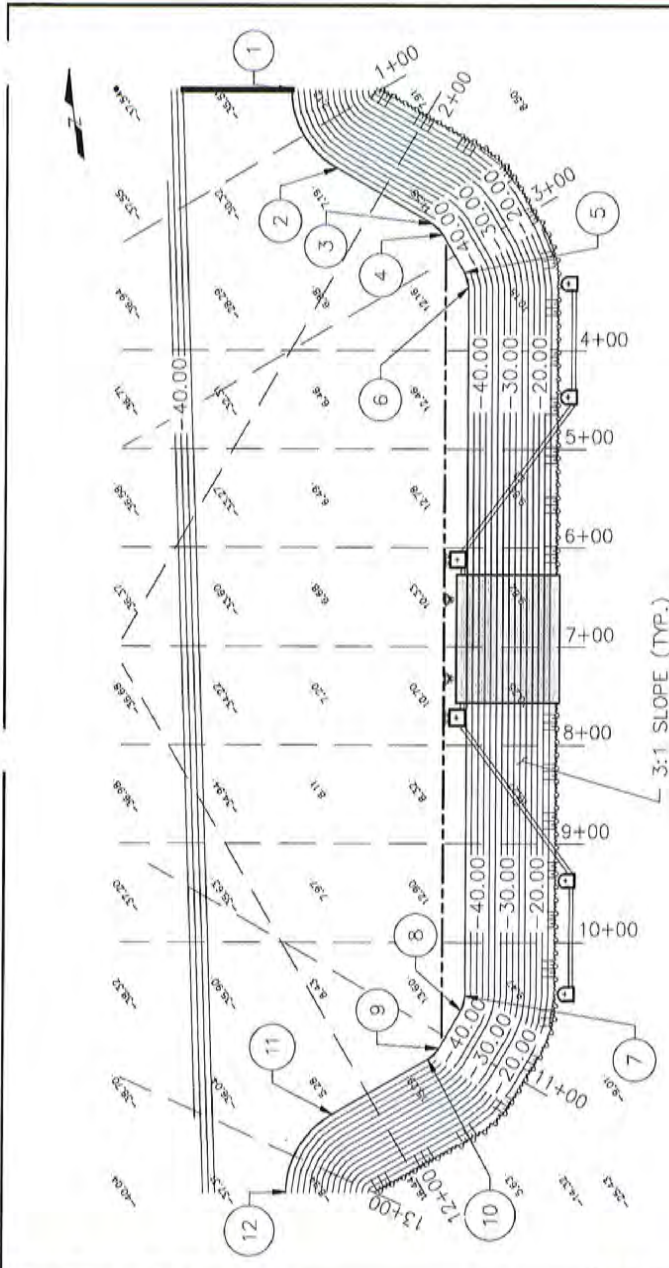
PRELIMINARY-FOR PERMIT PURPOSES
 PORT ARTHUR TERMINAL
 #1 BERTH
 MOORING ARRANGEMENT PLAN

DRAWN BY: IT	11/28/18	SCALE: 1"=150'-0"
CHECKED BY: AK	DESIGN BY: KS	REV. 0
ISSUE DATE: 01/11/19	FIGURE 13	

NOTICE
 THIS DRAWING AND THE INFORMATION HEREIN CONTAINED ARE THE PROPERTY OF MOTIVA ENTERPRISES WHICH HAS FURNISHED THEM IN CONFIDENCE UPON THE UNDERSTANDING AND CONDITION THAT ALL PERSONS, FIRMS OR CORPORATIONS RECEIVING SUCH DRAWINGS AND INFORMATION SHALL BY THE ACT OF RECEIVING THEM BE DEEMED TO HAVE AGREED TO MAKE NO COPY, REPRODUCTION, DISCLOSURE OR USE WHATSOEVER OF ALL OR ANY PART HEREOF EXCEPT AS EXPRESSLY AUTHORIZED IN WRITING BY MOTIVA ENTERPRISES NOT TO GIVE, LEND OR OTHERWISE DISPOSE OF THIS DRAWING; AND TO RETURN THIS DRAWING PROMPTLY UPON REQUEST.

SAFETY---A LIFETIME COMMITMENT

DMS REV. 4



PLAN

LEGEND:

EX. GRADE (NAVD88)

NOTES:

- EXISTING ELEVATIONS ARE SHOWN IN NAVD88 DATUM UNLESS NOTED OTHERWISE.
- PROPOSED DREDGING CONTOURS ARE SHOWN IN MLLW DATUM.

POINT	NORTHING	EASTING	DESCRIPTION	RADIUS
1	13882793.64	3566113.30	START/BC	90
2	13882709.62	3566150.08	EC	
3	13882642.16	3566239.44	BC	30
4	13882629.92	3566249.00	EC	
5	13882558.95	3566266.39	BC	30
6	13882579.57	3566268.56	EC	
7	13882661.02	3566181.10	BC	30
8	13882646.62	3566175.29	EC	
9	13882811.05	3566148.50	BC	30
10	13882801.50	3566136.26	EC	
11	13882757.86	3566093.24	BC	90
12	13882685.02	3565977.23	END/EC	

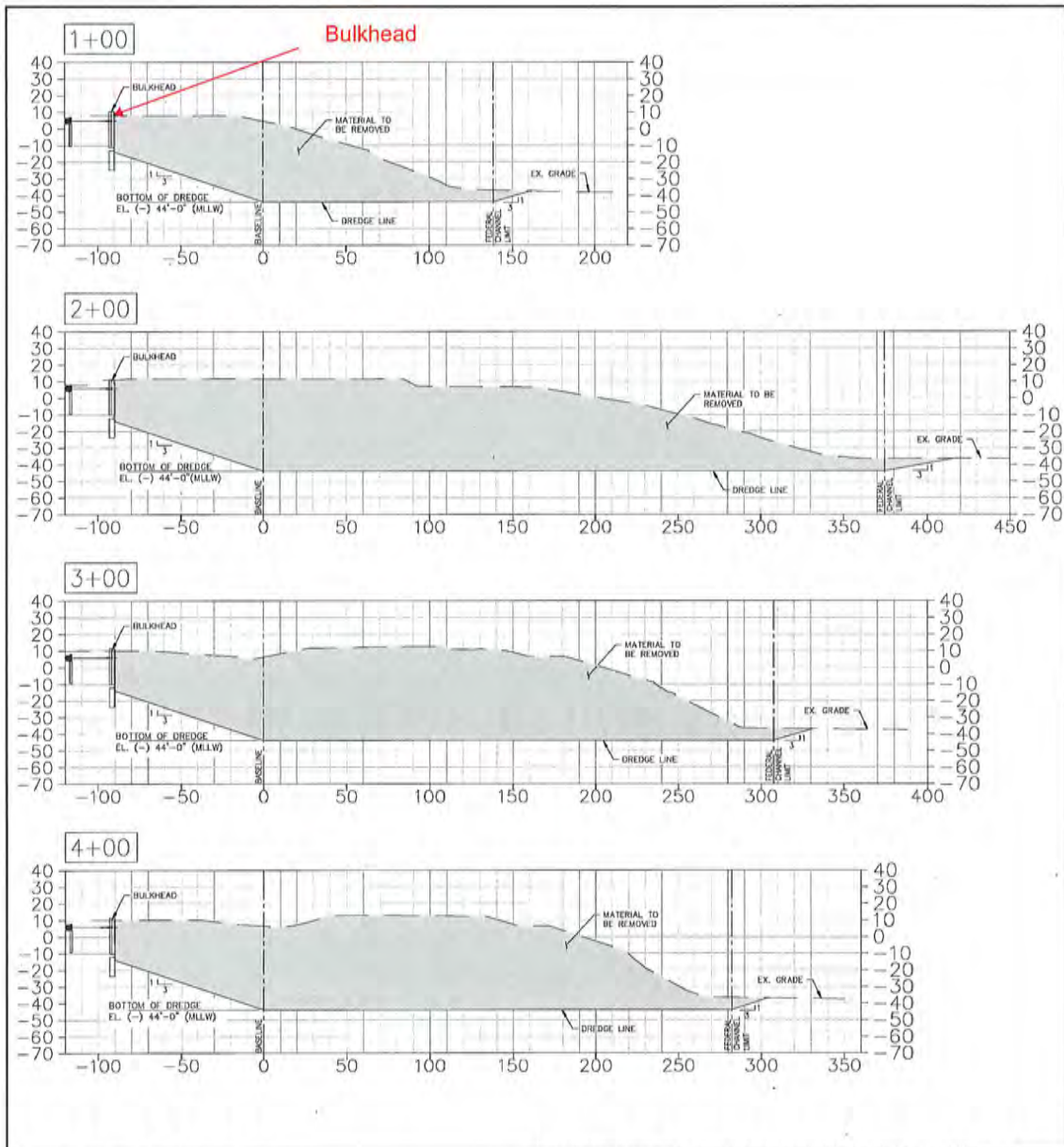
MOTIVA
 ENTERPRISES LLC
PORT ARTHUR
 RECEIVING

wood. WOOD GROUP USA, INC.
 TEXAS REGISTERED ENGINEERING FIRM F-2999
 PROJECT NO: 113181

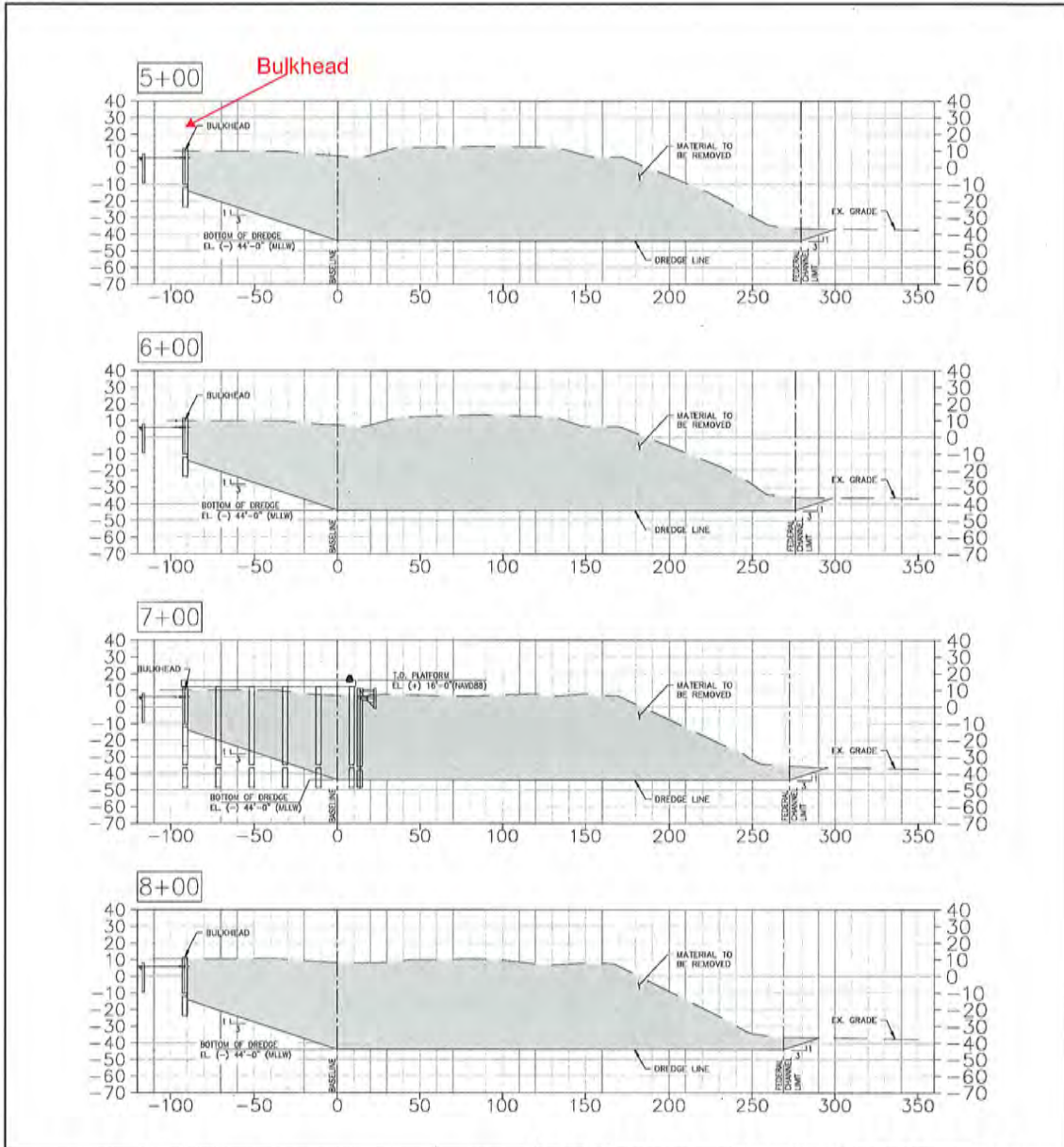
PRELIMINARY-FOR PERMIT PURPOSES
 PORT ARTHUR TERMINAL
 #1 BERTH
 DREDGING PLAN

DRAWN BY: TT	11/23/18	SCALE: 1"=150'-0"
CHECKED BY: AK	DESIGN BY: KS	REV. 0
ISSUE DATE: 01/11/19	FIGURE 14	

NOTICE
 THIS DRAWING AND THE INFORMATION HEREIN CONTAINED ARE THE PROPERTY OF MOTIVA ENTERPRISES WHICH HAS FURNISHED THEM IN CONFIDENCE UPON THE UNDERSTANDING AND CONDITION THAT ALL PERSONS, FIRMS OR CORPORATIONS RECEIVING SUCH DRAWINGS AND INFORMATION SHALL BY THE ACT OF RECEIVING THEM BE DEEMED TO HAVE AGREED, TO MAKE NO COPY, DUPLICATION, DISCLOSURE OR USE WHATSOEVER OF ALL OR ANY PART THEREOF EXCEPT AS EXPRESSLY AUTHORIZED IN WRITING BY MOTIVA ENTERPRISES. NOT TO GIVE, LOAN OR OTHERWISE DISPOSE OF THIS DRAWING; AND TO RETURN THIS DRAWING PROMPTLY UPON REQUEST.



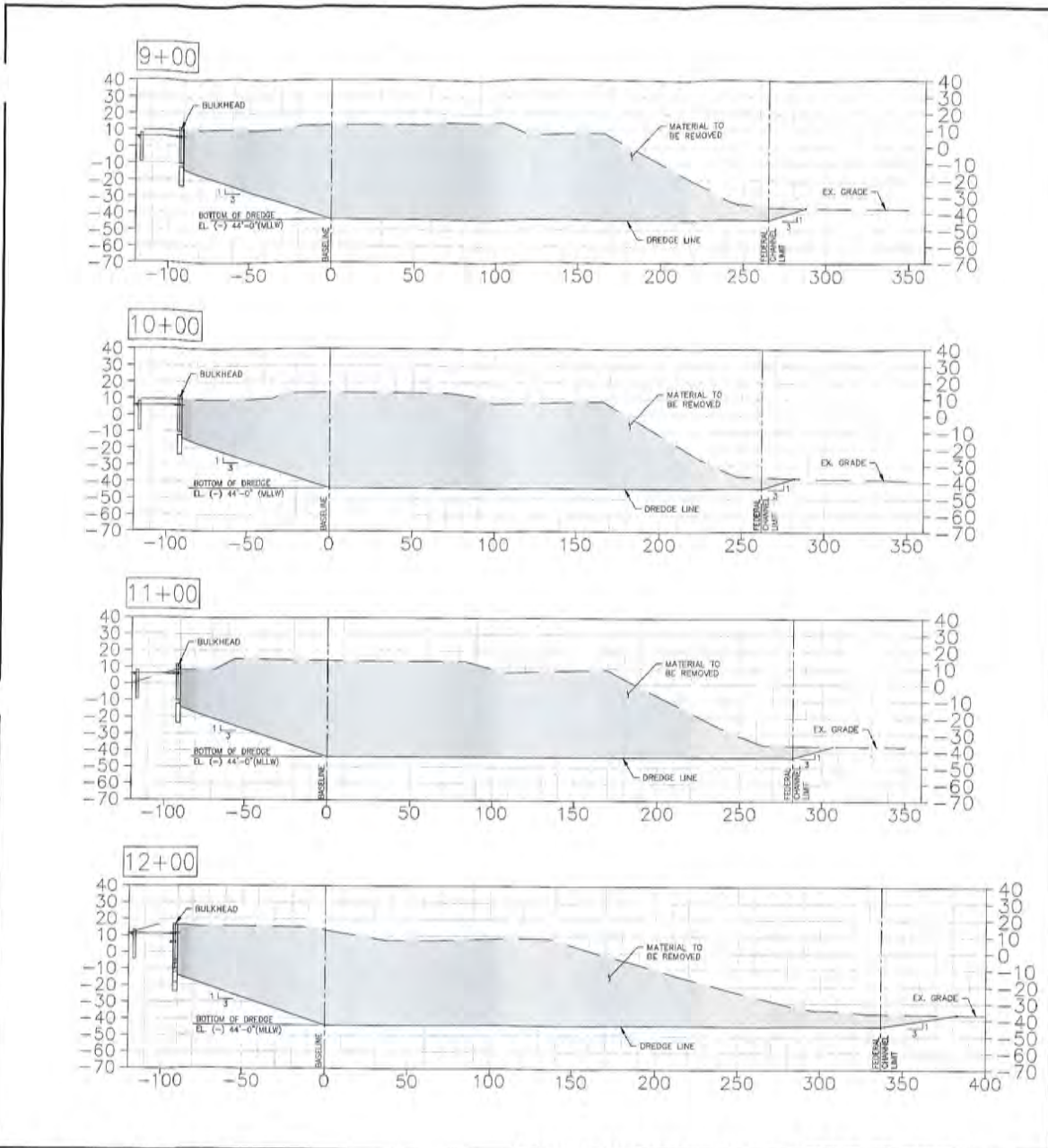
 PORT ARTHUR <small>REFINERY</small>	PRELIMINARY—FOR PERMIT PURPOSES PORT ARTHUR TERMINAL #1 BERTH DREDGING SECTIONS – SHEET 1		
	 WOOD GROUP USA, INC. TEXAS REGISTERED ENGINEERING FIRM F-2999 PROJECT NO: 113181	DRAWN BY: TT 11/23/18	SCALE: 1"=80'-0" DESIGN BY: KS
NOTICE THIS DRAWING AND THE INFORMATION HEREIN CONTAINED ARE THE PROPERTY OF MOTIVA ENTERPRISES WHICH HAS FURNISHED THEM IN CONFIDENCE UPON THE UNDERSTANDING AND CONDITION THAT ALL PERSONS, FIRMS OR CORPORATIONS RECEIVING SUCH DRAWING AND INFORMATION SHALL BY THE ACT OF RECEIVING THEM BE DEEMED TO HAVE AGREED TO MAKE NO COPY, DUPLICATION, DISCLOSURE OR USE WHATSOEVER OF ALL OR ANY PART THEREOF EXCEPT AS EXPRESSLY AUTHORIZED IN WRITING BY MOTIVA ENTERPRISES NOT TO GIVE, LEND OR OTHERWISE DISPOSE OF THIS DRAWING; AND TO RETURN THIS DRAWING PROMPTLY UPON REQUEST.			
ISSUE DATE: 01/11/19			FIGURE 15



 	PRELIMINARY-FOR PERMIT PURPOSES PORT ARTHUR TERMINAL #1 BERTH DREDGING SECTIONS - SHEET 2		
	 WOOD GROUP USA, INC. TEXAS REGISTERED ENGINEERING FIRM F-2999 PROJECT NO: 113181	DRAWN BY: TT 11/23/18	SCALE: 1"=80'-0" REV. 0
NOTICE THIS DRAWING AND THE INFORMATION HEREIN CONTAINED ARE THE PROPERTY OF MOTIVA ENTERPRISES WHICH HAS FURNISHED THEM IN CONFIDENCE UPON THE UNDERSTANDING AND CONDITION THAT ALL PERSONS, FIRMS OR CORPORATIONS RECEIVING SUCH DRAWING AND INFORMATION SHALL BY THE ACT OF RECEIVING THEM BE DEEMED TO HAVE AGREED, TO MAKE NO COPY, DUPLICATION, DISCLOSURE OR USE WHATSOEVER OF ALL OR ANY PART THEREOF EXCEPT AS EXPRESSLY AUTHORIZED IN WRITING BY MOTIVA ENTERPRISES NOT TO GIVE, LEND OR OTHERWISE DISPOSE OF THIS DRAWING, AND TO RETURN THIS DRAWING PROMPTLY UPON REQUEST.			CHECKED BY: AK DESIGN BY: KS ISSUE DATE: 01/11/19

SAFETY---A LIFETIME COMMITMENT

DMS REV. 4



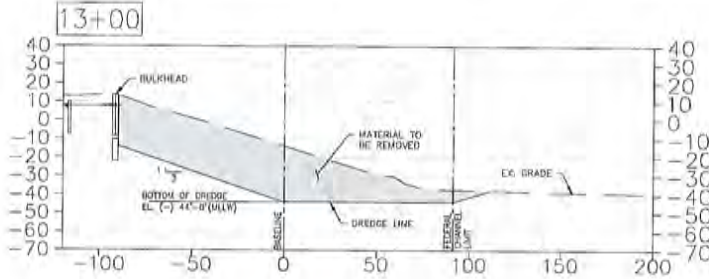
MOTIVA
 ENTERPRISES LLC
PORT ARTHUR
 TERMINAL

wood. WOOD GROUP USA, INC.
 TEXAS REGISTERED ENGINEERING FIRM F-2999
 PROJECT NO: 113181

PRELIMINARY—FOR PERMIT PURPOSES
 PORT ARTHUR TERMINAL
 #1 BERTH
 DREDGING SECTIONS — SHEET 3

DRAWN BY: TT	11/23/18	SCALE: 1"=80'-0"
CHECKED BY: AK	DESIGN BY: KS	FIGURE 17 0
ISSUE DATE: 01/11/19		

NOTICE
 THIS DRAWING AND THE INFORMATION HEREIN CONTAINED ARE THE PROPERTY OF MOTIVA ENTERPRISES WHICH HAS FURNISHED THEM IN CONFIDENCE UPON THE UNDERSTANDING AND CONDITION THAT ALL PERSONS, FIRMS OR CORPORATIONS RECEIVING SUCH DRAWING AND INFORMATION SHALL BY THE ACT OF RECEIVING THEM BE DEEMED TO HAVE AGREED, TO MAKE NO COPY, DUPLICATION, DISCLOSURE OR USE WHATSOEVER OF ALL OR ANY PART THEREOF EXCEPT AS EXPRESSLY AUTHORIZED IN WRITING BY MOTIVA ENTERPRISES NOT TO GIVE, LEND OR OTHERWISE DISPOSE OF THIS DRAWING; AND TO RETURN THIS DRAWING PROMPTLY UPON REQUEST.



MOTIVA
 ENTERPRISES LLC
PORT ARTHUR
 REFINERY

wood. WOOD GROUP USA, INC.
 TEXAS REGISTERED ENGINEERING FIRM F-2999
 PROJECT NO: 113181

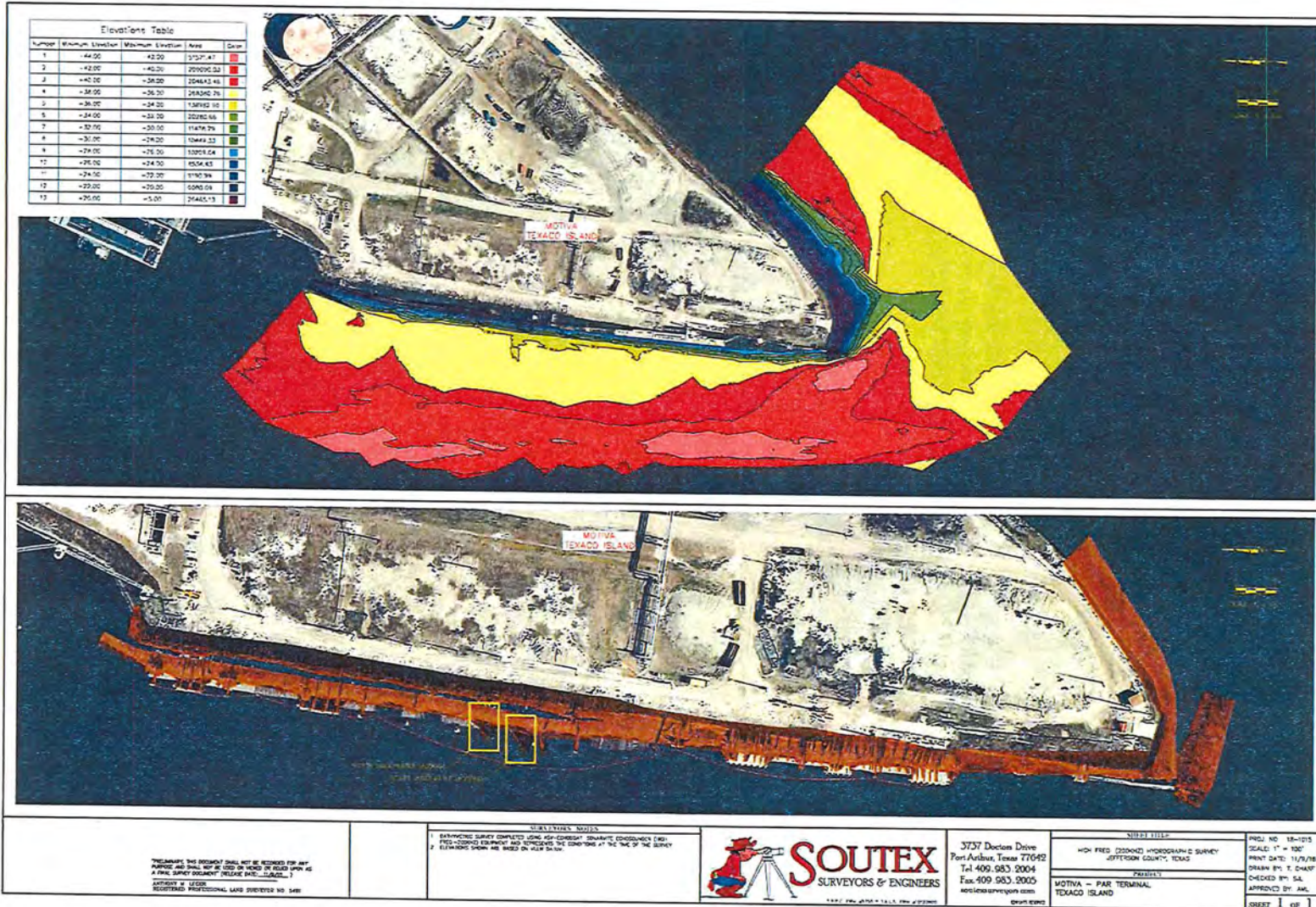
PRELIMINARY—FOR PERMIT PURPOSES
 PORT ARTHUR TERMINAL
 #1 BERTH
 DREDGING SECTIONS — SHEET 4

DRAWN BY: TT	11/23/18	SCALE: 1"=80'-0"
CHECKED BY: AK	DESIGN BY: KS	REV. 0
ISSUE DATE: 01/11/19	FIGURE 18	

NOTICE
 THIS DRAWING AND THE INFORMATION HEREIN CONTAINED ARE THE PROPERTY OF MOTIVA ENTERPRISES WHICH HAS FURNISHED THEM IN CONFIDENCE UPON THE UNDERSTANDING AND CONDITION THAT ALL PERSONS, FIRMS OR CORPORATIONS RECEIVING SUCH DRAWING AND INFORMATION SHALL BY THE ACT OF RECEIVING THEM BE DEEMED TO HAVE AGREED TO MAKE NO COPY, DUPLICATION, DISCLOSURE OR USE WHATSOEVER OF ALL OR ANY PART THEREOF EXCEPT AS EXPRESSLY AUTHORIZED IN WRITING BY MOTIVA ENTERPRISES NOT TO GIVE, REPRODUCE OR OTHERWISE DISPOSE OF THIS DRAWING, AND TO RETURN THIS DRAWING PROMPTLY UPON REQUEST.

SAFETY---A LIFETIME COMMITMENT

DMS REV. 4



STATEMENT: THIS DOCUMENT SHALL NOT BE REPRODUCED FOR ANY PURPOSE AND SHALL NOT BE USED IN WHOLE OR IN PART AS A FINAL SURVEY DOCUMENT WITHOUT THE WRITTEN CONSENT OF SOUTEX SURVEYORS & ENGINEERS.

1. BATHYMETRIC SURVEY COMPLETED USING HIGH PRECISION HYDROGRAPHIC SOUNDING EQUIPMENT AND TECHNIQUES THE COMPANY AT THE TIME OF THE SURVEY.
 2. BATHYMETRIC SURVEY WAS BASED ON NAVD83 DATUM.

SOUTEX
 SURVEYORS & ENGINEERS

3737 Doctors Drive
 Fort Worth, Texas 77042
 Tel: 409.983.2004
 Fax: 409.983.2005
 www.southexsurveys.com

SHEET TITLE:
 HIGH PRECISION HYDROGRAPHIC SURVEY
 JEFFERSON COUNTY, TEXAS

PROJECT:
 MOTIVA - PAR TERMINAL
 TEXACO ISLAND

PROJECT NO: 18-1015
 SCALE: 1" = 100'
 PRINT DATE: 11/9/18
 DRAWN BY: T. CHART
 CHECKED BY: S.A.
 APPROVED BY: A.M.
 SHEET 1 OF 1